



Better Light ...
Lower Watts

472 E. BOWEN BOULEVARD, FAYETTEVILLE, ARKANSAS 72703
Phone: 479.521.1177 SALES@NEXTGENLUMI.COM

NG - P30DC - ___ - ___ (see chart below)

15 Watt LED PAR 30 Lamp – Non-Dim

APPLICATIONS

- General Illumination
- Recessed Cans
- Track lighting
- Spot lighting
- Flood Lights

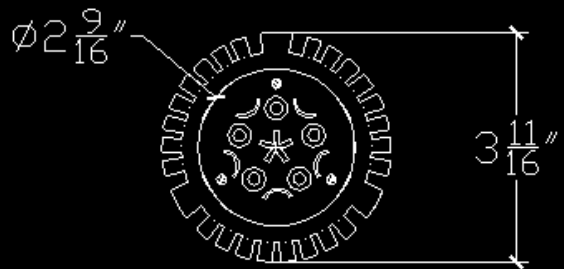
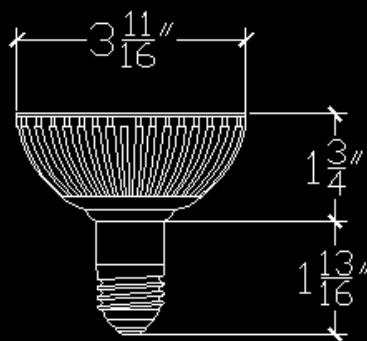
Warranty

3 Year Warranty



- 15 Watt PAR30 LED Lamp
- Up to 1500 footcandles
- CRI- 95
- Warm White (3000K)
- Pure White (3500K)
- Lifetime - 35,000 hours
- Patent Pending

Powered by:



Part Number	Color	LED QTY-TYPE	View Angle	Work Voltage	Optic	Power	Wavelength	Footcandles	Base	Pack Size
NG-P30DC-30-30K	Warm White	5-3W	Spot	120VAC/60Hz	30 degree	15W	3000K	1500 fc	E26	4 Pack
NG-P30DC-30-35k	Pure White	5-3W	Spot	120VAC/60Hz	30 degree	15W	3500K	1400 fc		
NG-P30DC-30-40K	Cool White	Coming 2009					4000K			



Better Light ...
Lower Watts

472 E. BOWEN BOULEVARD, FAYETTEVILLE, ARKANSAS 72703
Phone: 479.521.1177 SALES@NEXTGENLUMI.COM

Quality

Next Gen Illumination, Inc. provides a limited 3 year warranty on Lamp replacement. Disassembly of product voids any and all warranty obligations from Next Gen Illumination, Inc.

These lamps will not function in multi-level switching.

All Next Gen Lamps are TUV, CE listed and ROHS compliant.

Not rated for exterior use.

Performance

Next Gen Illumination technology focuses on the key components for quality assurance. It all starts with using the highest quality LEDs with optimum heat dissipation. Using good LEDs is just the start of a great light.

The final aspect of a quality light is getting the light where it is supposed to go. Optics control is key for high performance lighting. Our engineered focus optics are designed to produce useable light on the work plane without having to add additional light for safety standards.

Price

At Next Gen Illumination, we have always asserted that it is not only enough to produce a quality product that has the highest performance but to deliver it at a price that is driven by ensuring rapid returns on investment while minimizing installation costs. This is why we have pursued the conversion/replacement market. This is the surest method of controlling installation cost. No rewiring, no additional controls and no outside labor cost. It's as easy as changing a light bulb. The true cost of lighting can only be measured in terms of combined energy consumption, maintenance, lamp replacements and disposal costs. It is what we like to call, "The True Cost of LEDs".

For more information
on any of our
products, please
contact us directly by
phone or email.



472 E. Bowen Blvd.
Fayetteville, AR 72703
Phone 479.521.1177
Sales@nextgenlumi.com