



**Better Light...
Lower Watts**

472 E. BOWEN BOULEVARD. FAYETTEVILLE, ARKANSAS 72703
Phone: 479.521.1177 SALES@NEXTGENLUMI.COM

NG – M16G-__-__ (See Chart Below)

4 Watt LED MR16 Lamp – Full Range Dimming*

APPLICATIONS

- General Illumination
- Recessed Cans
- Track lighting
- Spotlight
- Pendants
- Flood Lights

Warranty

3 Year Warranty.

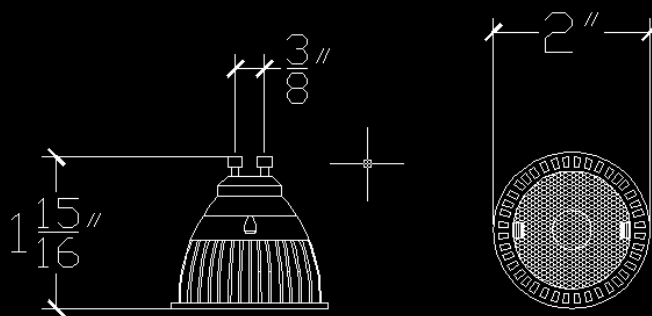


Acriche
Semiconductor Technology

Powered by:



- GU 10 base 4 Watt MR16 LED lamp
- 880 & 700 footcandles outputs
- CRI > 80
- 20 or 30 degree beam spreads available
- Warm White (3000K)
Pure White (3500K)
- Lifetime exceeding 35,000 hours
- Full Range color controlled dimming utilizing standard incandescent dimmers*.
- Flexible life technology
- Patent Pending



Part Number	Color	LED Type & Qty	View Angle	Work Voltage	Optic	Power	Wavelength	Footcandles	Base	Packing
NG-M16G-20-30K	Warm White	1-4W	Spot	120VAC/60Hz	20 degree	4W	3000K	880	GU10 Twist Lock	12 Pack
NG-M16G-20-35K	Pure White	1-4W	Spot	120VAC/60Hz	20 degree	4W	3500K	880		
NG-M16G-30-30K	Warm White	1-4W	Spot	120VAC/60Hz	30 degree	4W	3000K	700		
NG-M16G-30-35K	Pure White	1-4W	Spot	120VAC/60Hz	30 degree	4W	3500K	700		



Better Light... Lower Watts

472 E. BOWEN BOULEVARD. FAYETTEVILLE, ARKANSAS 72703
Phone: 479.521.1177 SALES@NEXTGENLUMI.COM

*Dimming

Next Gen lamps are dimmable using rheostat, electronic low voltage or sinewave dimmers. SCR, magnetic low voltage, or other triac based dimming technology is not recommended for use with NGI bulbs. As Next Gen lamps are extremely low wattage loads, ensure use of standard rheostat dimmers with full off setting or electronic low voltage dimmers within your total wattage load on the circuit. Otherwise, check with your manufacturer's instructions or consult an electrician for optimum performance with dimming systems.

Quality

Next Gen Illumination, Inc. provides a limited 3 year warranty on Lamp replacement. All Next Gen Lamps are TUV, CE listed and ROHS compliant. These lamps will not function in multi-level switching. Disassembly or use of product in non-recommended systems voids any and all warranty coverage from Next Gen Illumination, Inc.

Performance

Next Gen Illumination technology focuses on three key components for quality assurance. It all starts with using the highest quality LEDs with optimum heat dissipation. Using good LEDs is just the start of a great light. Our color control and flexible lifetime technology will take advantage of dimming system savings unlike other LED manufacturers. Our methods of reducing the temperature of the LED and regulating color through the dimming, rather than just reducing lumens will contribute to not only the life expectancy of the lamp but help maintain color consistency of the LED itself. The final aspect of a quality light is getting the light where it is supposed to go. Optics control is key for high performance lighting. Our engineered focus optics are designed to produce useable light on the work plane without having to add additional light for safety standards. Not rated for exterior use.

Price

At Next Gen Illumination, we have always believed that it is not only enough to produce a quality product that has the highest performance.....we also deliver it at a price that is driven by ensuring rapid returns on investment while minimizing installation costs. This is the only method of controlling installation cost- No rewiring, no additional controls and no outside labor cost. It's as easy as changing a light bulb. This is why our bulbs are a perfect application for the conversion/replacement market. The true cost of lighting can only be measured in terms of combined energy consumption, maintenance, lamp replacements and disposal costs. It is what we like to call, "The True Cost of

For more Information
on any of our
products, please
contact us directly by
phone or email.



472 E. Bowen Blvd.
Fayetteville, AR 72703
Phone 479.521.1177
Sales@nextgenlumi.com