



**Better Light...
Lower Watts**

472 E. BOWEN BOULEVARD, FAYETTEVILLE, ARKANSAS 72703
Phone: 479.521.1177 SALES@NEXTGENLUMI.COM

NG-801 LED Garden Light – HB Vesta

APPLICATIONS

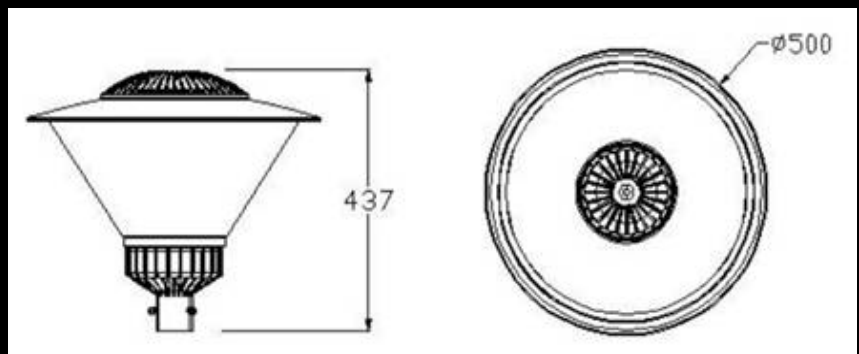
Sidewalks
Walking Paths
Parks
Squares
Trails

Warranty

3 Year Warranty



- **Lifetime** >50,000hrs
- **CRI** RA>70
- **Power Factor** >.85
- **IP Rating** 65
- **Operating Temp** -20°C~50°C
- **Operating Humid** 10%~90%
- **Weight** 22.05 lbs



Part Number	Color	LED Quantity	IP	Work Voltage	Work Current	Power	Wavelength	Luminous Flux	Efficacy
NG-801	Blue	72	65	200-240VAC/50hz	455mA	85w	6000±500K	>4200	>70lm/w



**Better Light...
Lower Watts**

472 E. BOWEN BOULEVARD. FAYETTEVILLE, ARKANSAS 72703
Phone: 479.521.1177 SALES@NEXTGENLUMI.COM

Quality

Next Gen Illumination, Inc. provides a limited 3 year warranty.
All Next Gen Lamps are CE listed and ROHS compliant.
Disassembly of product voids any and all warranty from Next Gen Illumination, Inc.

Performance

Next Gen Illumination technology focuses on three key components for quality assurance. It all starts with using the highest quality LEDs. Using a great LED is just the starting point for building a great light fixture. Our illumination levels are enhanced with robust heat sink technology to ensure not just maintained lumen output but longevity of life. Next Gen Illumination HB fixtures are designed to not only produce light but get the light where it needs to be, on the surface. Our distribution methods and LED array patterns are quality engineered to deliver usable light where you want it, when you want it.

Price

At Next Gen Illumination, we have always believed that it is not only enough to produce a quality product that has the highest performance.....we also deliver it at a price that is driven by ensuring rapid returns on investment while minimizing conversion costs. The financial savings on energy and maintenance will immediately begin producing savings. Those monthly savings are just the beginning of your total life savings. The true cost of lighting can only be measured in terms of combined energy consumption, maintenance, lamp replacements and disposal costs. It is what we like to call, "The True Cost of LEDs".

For more Information
on any of our
products, please
contact us directly by
phone or email.



472 E. Bowen Blvd.
Fayetteville, AR 72703
Phone 479.521.1177
Sales@nextgenlumi.com