

NG-C-M16

4.5 Watt LED MR16 Lamp – Non-Dimmable

APPLICATIONS

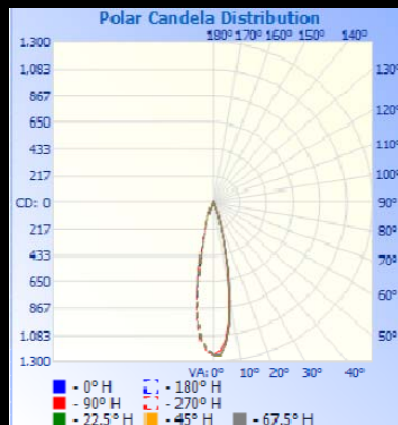
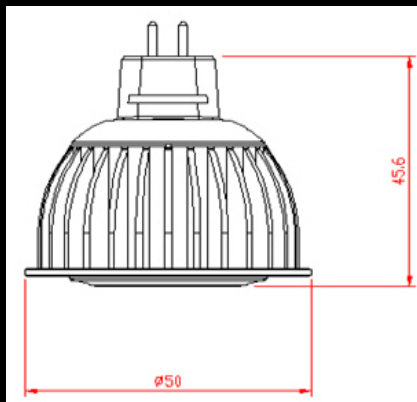
General Illumination
Recessed Cans
Track lighting
Spotlight
Pendants
Flood Lights

Warranty

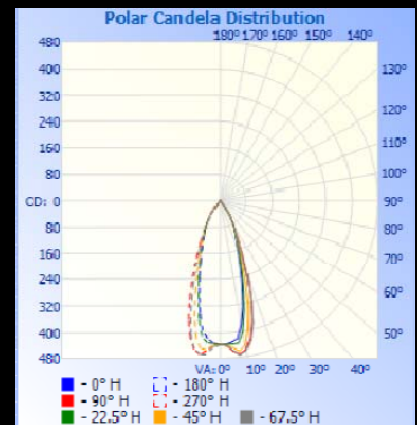
3 Year Warranty.



- GU 5.3 base MR16 LED Lamp
- Powered by Cree True White™ Technology
- True 50 Watt Halogen replacement
- Efficiency rating of 46 to 50 lumens per watt
- CRI >82
- Available in both 20° and 38° beam spreads
- Lifetime expectancy of 50,000 hours
- Warm White (2800K)
Pure White (5700K)
- UL listed
- 3rd Party LM79/80 Validated



NG-C-M16-20-28K



NG-C-M16-38-28K

Part Number	View Angle	Work Voltage	Optic	Power	Wavelength	Illuminance At 1 meter	Luminous Flux	CRI	Base	Packing
NG-C-M16-20-28K	Spot	12VAC/VDC	20 degree	4.5W	2800K	448 fc	228lm	82	GU 5.3 Bi-Pin	12 pack
NG-C-M16-20-57K	Spot	12VAC/VDC	20 degree	4.5W	5700K	586 fc	350lm	75		
NG-C-M16-38-28K	Spot	12VAC/VDC	38 degree	4.5W	2800K	157 fc	210lm	82		
NG-C-M16-38-57K	Spot	12VAC/VDC	38 degree	4.5W	5700K	203 fc	322lm	75		



Better Light ... Lower Watts

472 E. BOWEN BOULEVARD. FAYETTEVILLE, ARKANSAS 72703
Phone: 479.521.1177 SALES@NEXTGENLUMI.COM

Installation – Fixture & Transformer Compatibility Statement

There are three standard types of low-voltage power systems used with MR16 lamps: regulated direct current, magnetic, and electronic. Next Gen Illumination lamps are compatible as follows:

12 VDC (regulated): COMPATIBLE
MAGNETIC: COMPATIBLE
ELECTRONIC: COMPATIBLE*

* Most Electronic transformers for MR16 lamps are rated as 12volt AC and will meet this standard. Some low quality electronic transformers, listed as 12VAC, may provide voltages greater than 12VAC on occasion. The variance is not an industry standard and is a sign of poor electrical management and quality. Those low quality transformers can be responsible for premature failure that occurs with any MR16 bi-pin lamp (either halogen or LED).

Before using any MR16 lamp in an electronic transformer, it should be verified that the electronic transformer is delivering 12 volts AC. This can be verified by the manufacturer of the fixture or tested by a licensed electrician. Some of these electronic fixtures or transformers may have minimum load standards or wattages. Please check with the manufacturer of the fixture or place of purchase.

Quality

Next Gen Illumination, Inc. provides a limited 3 year warranty on Lamp replacement. Disassembly of product voids any and all warranty obligations from Next Gen Illumination, Inc. These lamps will not function in dimming multi-level circuits. All Next Gen Lamps are TUV, CE listed and ROHS compliant. Not rated for exterior use.

Performance

Next Gen Illumination technology focuses on the key components for quality assurance. It all starts with using the highest quality LEDs with optimum heat dissipation. Using good LEDs is just the start of a great light. The final aspect of a quality light is getting the light where it is supposed to go. Optics control is key for high performance lighting. Our engineered focus optics are designed to produce useable light on the work plane without having to add additional light for safety standards.

Price

At Next Gen Illumination, we insist that it is not enough to produce a quality product with the highest performance. It must be delivered at a price which ensures a rapid return on investment while minimizing installation costs. This is why we have pursued the conversion/replacement market. This is the surest method of controlling installation cost. No rewiring, no additional controls and no outside labor cost. It's as easy as changing a light bulb. The true cost of lighting can only be measured in terms of combined energy consumption, maintenance, lamp replacements and disposal costs. It is what we like to call, "The True Cost of LEDs".

